

illume™ Multi-System Instructions

INDEX

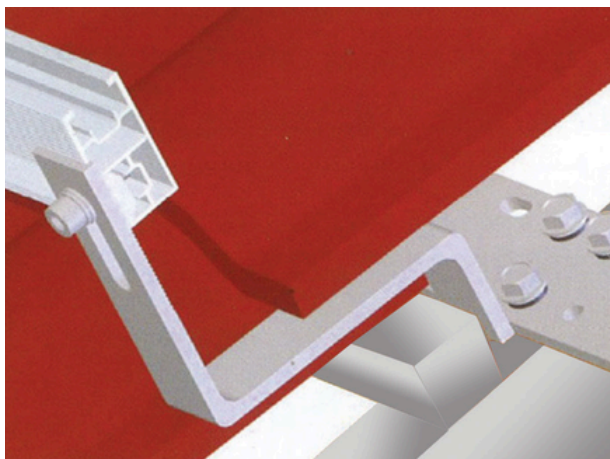
1. Solar Panel Mounting Rail System installation instructions.
2. 9 Port Splitter installation instructions.
3. Multi-System Work Flow installation instructions with accessories.

1.illume™ Solar Panel Mounting Rail System

Thank you for your purchase. This manual describes how to mount your solar panel mounting rail brackets to your roof and solar collector.

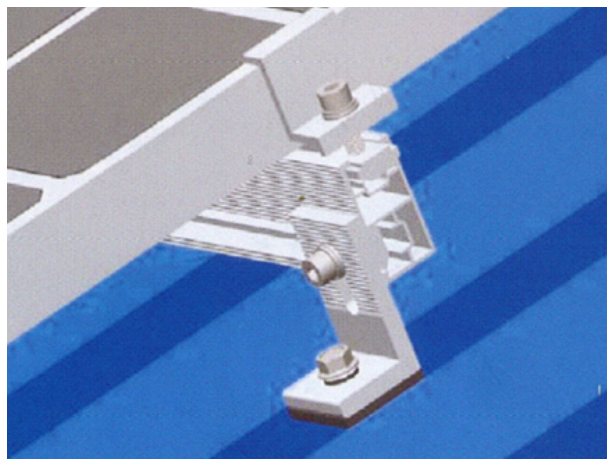
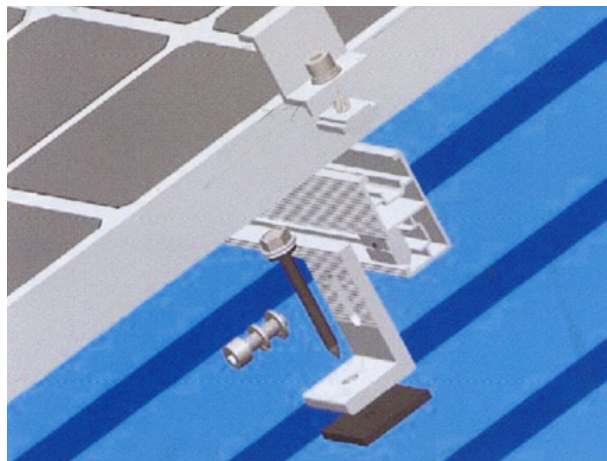
TILE ROOF

1. Remove tile to expose roof truss structure.
2. Rest plate to truss behind the batten.
3. Secure with appropriate wood screws.
4. Replace tile(s) ensuring gaps are closed to prevent leaks.
5. Connect solar panel rail to bracket as per diagrams below.



METAL ROOF

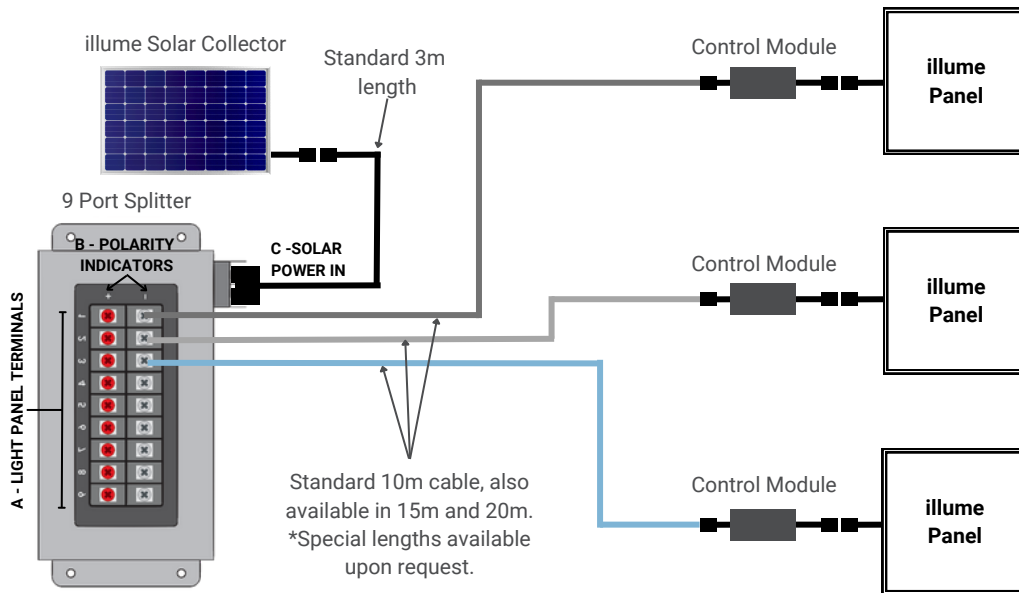
1. Locate bracket on peak of roofing material (if material is corrugated).
2. Secure with appropriate roofing screws.
3. Connect solar panel rail to bracket as per diagram below.



2. illume™ 9 Port Splitter Instructions

Thank you for your purchase. This manual describes how to connect the 9 Port Splitter to the other components of your Multi-System. If you have a 2 Port Splitter it is a simple matter of plugging into the splitter as below.

MULTI-SYSTEM WIRING DIAGRAM



The illume 9 Port Splitter is the center hub for the illume Multi-Systems. It provides power for up to 9 illumes with individual PTC fused outputs with status LEDs.

FEATURES

- Individually protected outputs
- Individual status LED indicators
- Dimensions 138 x 84 28mm

9 PORT SPLITTER CONNECTION INSTRUCTIONS

1. Connect illume panels to terminals
2. Ensure correct polarity - red to positive (+)
3. Connect Solar collector to power input.
4. LED status indicator will light up.

3. illume™ Multi-System Work Flow

For illume Accessories, AC Driver and/or Dimmer Kit.

